



ASSEMBLY INSTRUCTIONS

VECTREX ARCADE SYSTEM

FLOOR DISPLAY #98121-092

CARTON CONTENTS

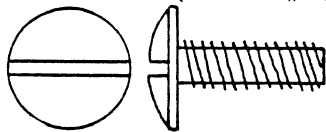
QUANTITY	ITEM	PART #
1	BASE UNIT	1
1	TOP COVER	2
1	SIGN HOLDER WITH SIGN ATTACHED	3
1	HARDWARE PACK	4
4	STABILIZER FOOT	5
3	DIVIDER	6
2	SHELF	7
1	LITERATURE PACKET	8

CHECK CARTON FOR CONTENTS AGAINST THE ABOVE LIST BEFORE YOU BEGIN.  
THE ONLY TOOL YOU WILL NEED IS A GOOD SCREWDRIVER

1. If you are setting the display on carpeted floor, you will want to install the stabilizer feet (Part #5). If the display is to be used on concrete or floor tile, the stabilizer feet will be unnecessary.

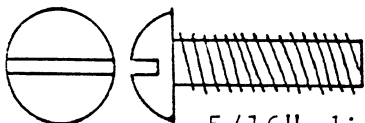
To install the stabilizer feet, first turn the display upside down.

Using 8, 1/4" dia. x 3/4" long, truss head machine screws, attach stabilizer feet to base (Part #1) of display.



1/4" dia. x 3/4" truss head

Thread 1, 5/16" dia. x 1" long round head machine screw into the threaded hole at the end of each stabilizer foot. (Figure 1).



5/16" dia. x 1" round head

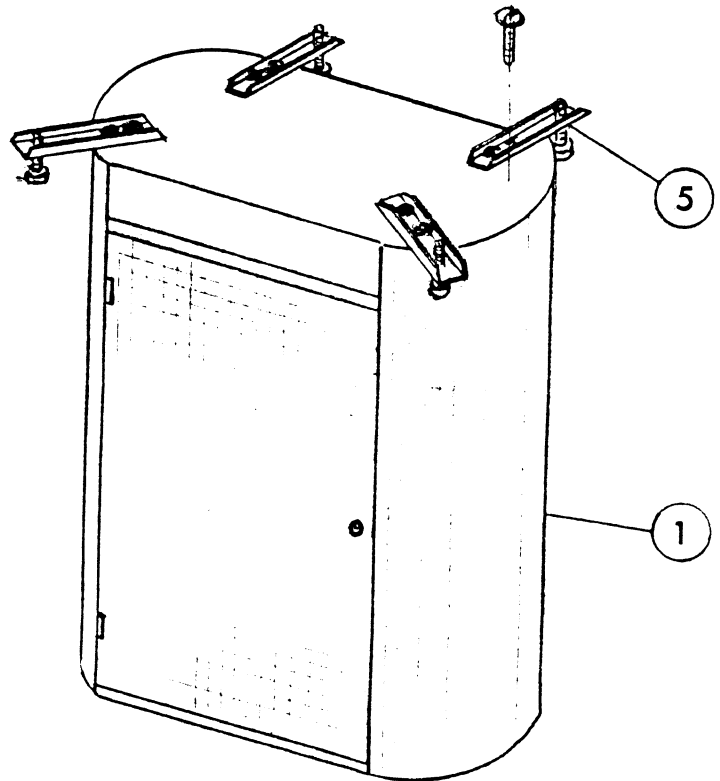


FIGURE 1

3-4-83

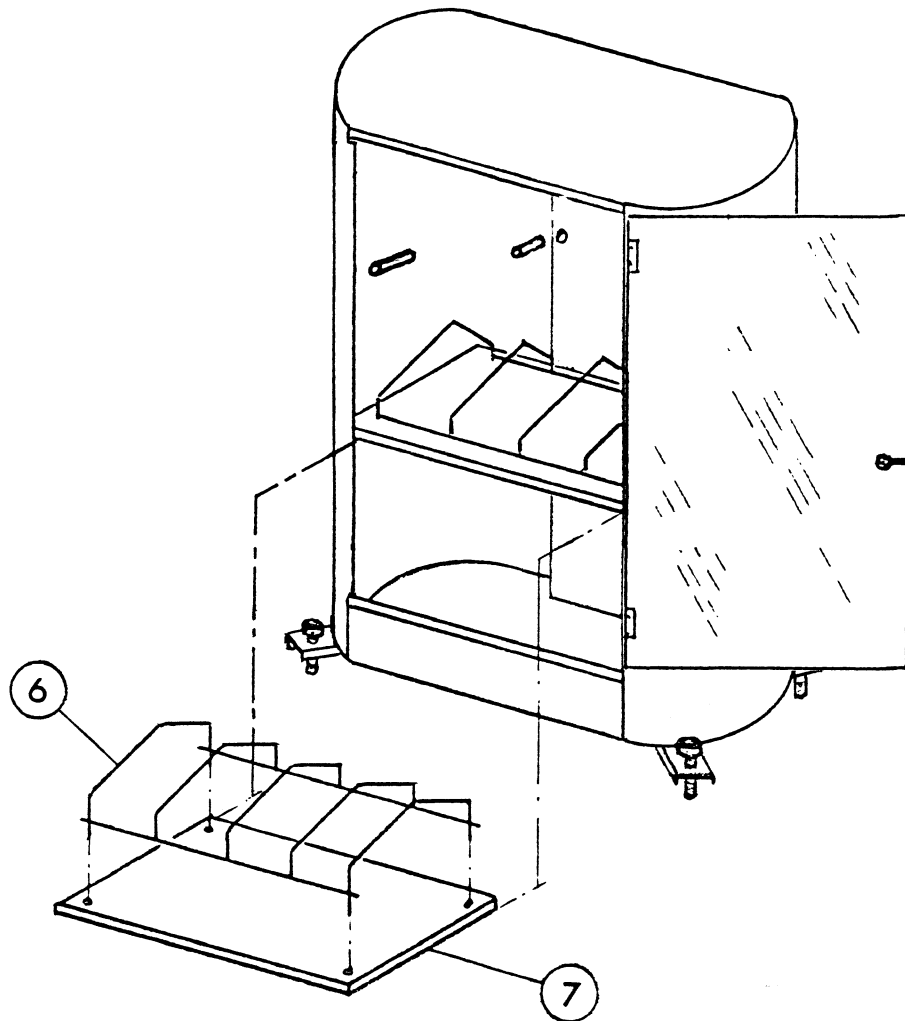


FIGURE 2

2. Turn display upright.
3. Install 8 shelf-support pins into pre-drilled holes inside base. 4 pins support each shelf. Four shelf-support pins are used on either side of the door opening, and four are used at the back of the display. (Figure 2)
4. Place shelves (Part #7) in the display. The rounded corners fit toward the back of the display. Install a wire divider (Part #6) on each of 3 shelves inside the base. Shelves are pre-drilled to hold the wire dividers in place. (Figure 2)

NOTE: The shelves will hold 6 cartridge packages between each of the dividers. Control panel packages will also fit between the dividers.

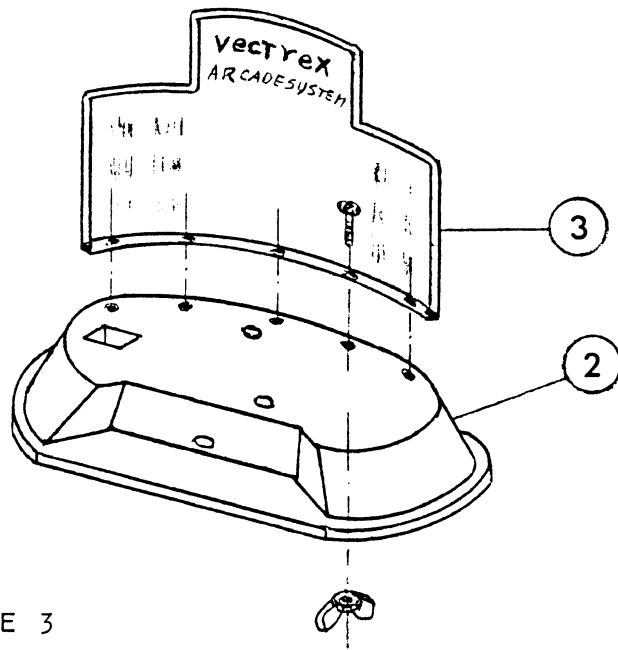
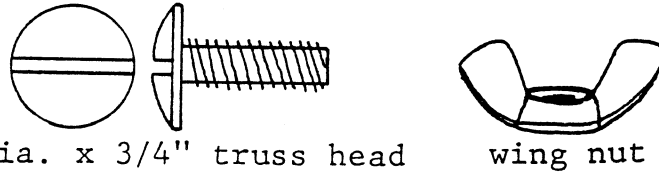


FIGURE 3

5. Using 5, 1/4" x 3/4" truss head machine screws and wing nuts attach the sign holder (Part #3) to the top (Part #2). (Figure 3)



1/4" dia. x 3/4" truss head

wing nut

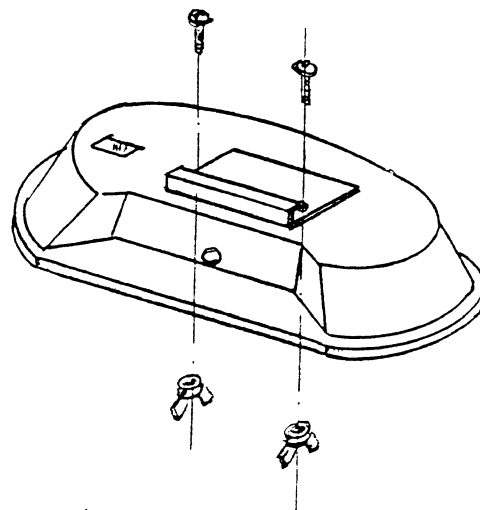


FIGURE 4

6. Using 2, 1/4" dia. x 3/4" truss head screws and wing nuts, attach the sheet-metal security clip to the top. (Figure 4)



1/4" dia. x 3/4" truss head

wing nut

7. Hang the flattened end of the wire security hook on each side of the rear of the Vectrex Arcade.

Note that each wire hook will fit only on one side of the display. (Figure 5)

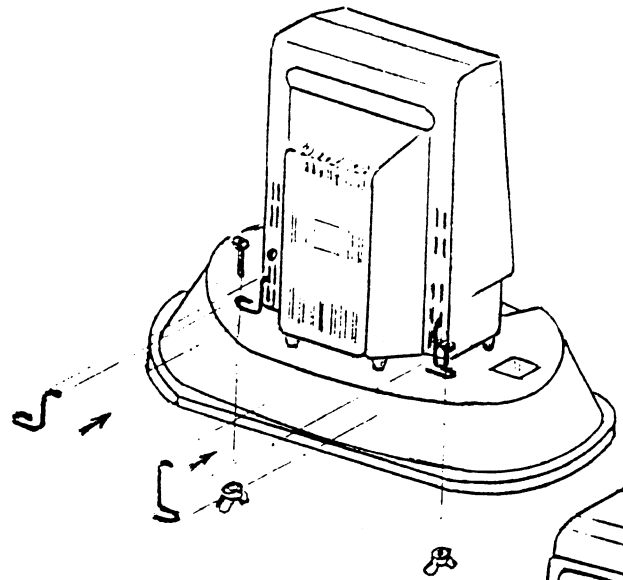
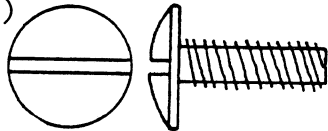


FIGURE 5

8. Remove the control panel from the Vectrex unit and unplug its coil cord.

9. Feed the electric cord of the Vectrex through the hole in the top cover. Now slide the Vectrex Arcade unit into place on the top so that it slips under the sheetmetal security clip. (Figure 6)

10. Using 2,  $\frac{1}{2}$ " dia. x  $\frac{3}{4}$ " long, truss head machine screws and wing nuts, attach the rear wire security hooks to the top. (Figure 5)



$\frac{1}{2}$ " dia. x  $\frac{3}{4}$ " truss head



wing nut

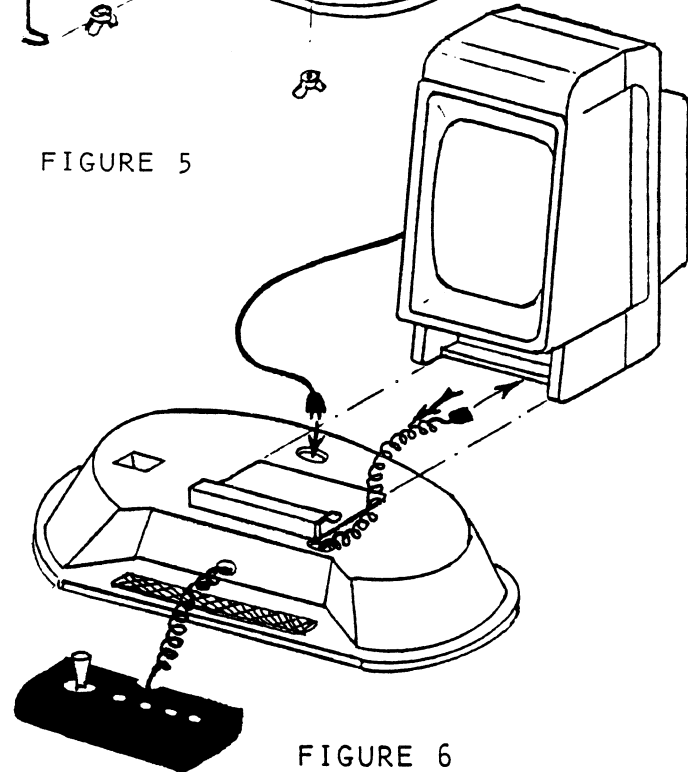


FIGURE 6

11. Place the top over the base of the display. The Vectrex Arcade electrical cord can be run out through the rear of the top cover, or can be directed down through the base and out the back of the base. (Figure 7)

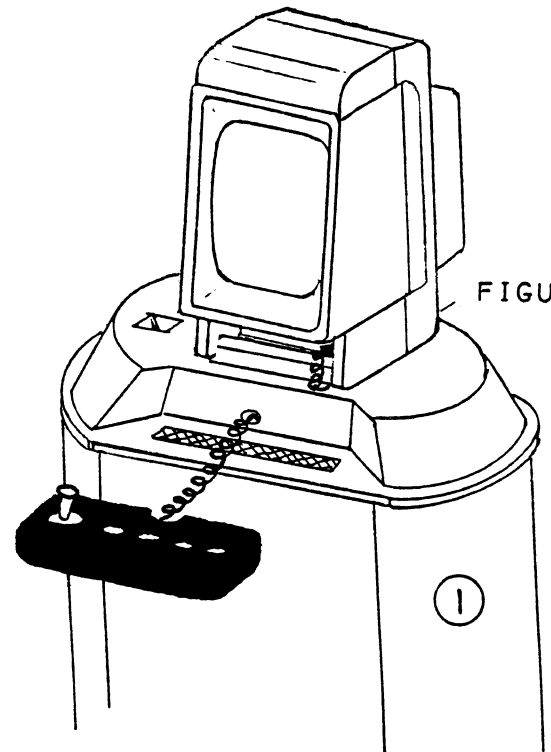
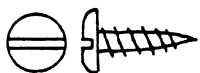


FIGURE 7

12. Insert control panel coil-cord through the front hole, then up-and-out of the hole in the top cover, and plug into Vectrex unit in the outlet on the right. (Figure 6)

\*NOTE: DO NOT fasten control panel to 2-sided tape until step 13 is completed.

13. Using 3,  $\frac{1}{2}$ " long sheet metal screws, fasten the top cover (part #2) to the base unit (part #1), (Figure 8). Note that two of the screws are located at the front of the top cover, and one screw is located at the rear of the top cover. Holes are pre-drilled for the screws.



$\frac{1}{2}$ " long sheetmetal screw

14. Using 1,  $\frac{1}{8}$ " x  $\frac{3}{4}$ " long round head machine screw, attach the knob to the upper lefthand corner of the door. The door is pre-drilled for the screw.



$\frac{1}{8}$ " x  $\frac{3}{4}$ " round head machine screw

NOTE: Place overlay for MINE STORM game in slots above and below screen. (Figure 8)

15. Remove the cartridge retainer from the back of the door. Peel protective paper from the door, and clamp the cartridge retainer back in place. Place featured cartridge packages in the metal cartridge retainer. (Figure 9)

Should you have questions regarding assembly of this display, feel free to contact the manufacturer of the display. Call: Sales Dept., Santa Cruz Wire & Mfg. Co. 408- 423-9211

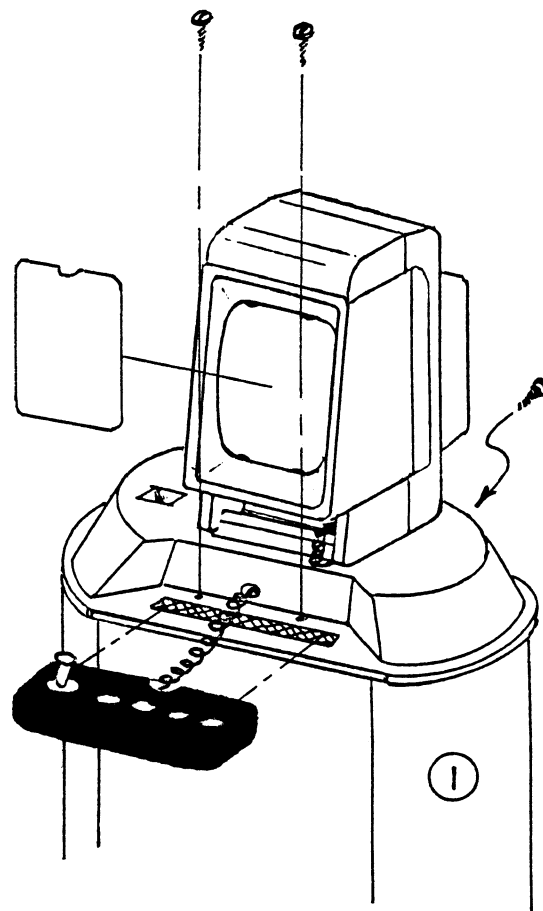


FIGURE 8

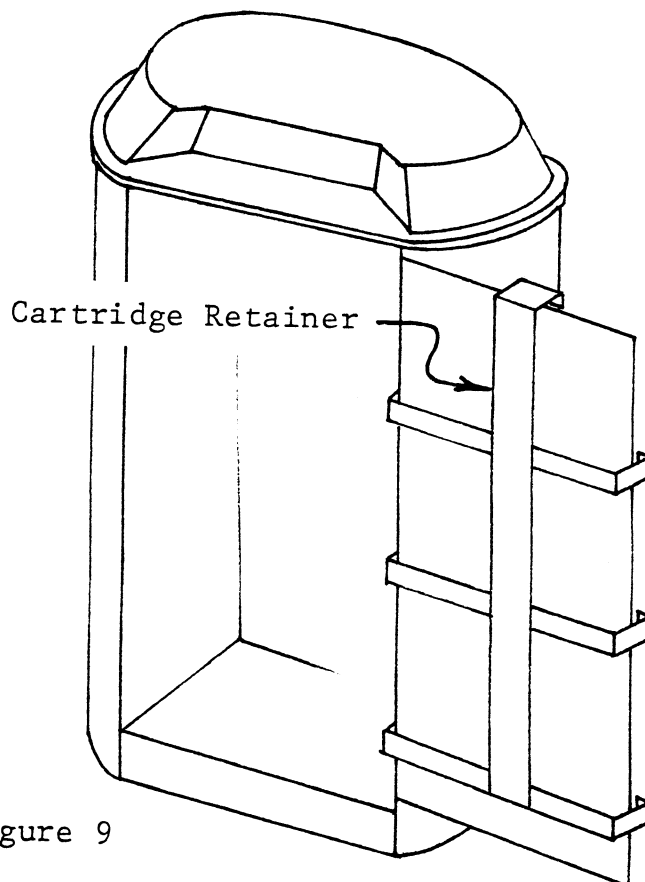


Figure 9